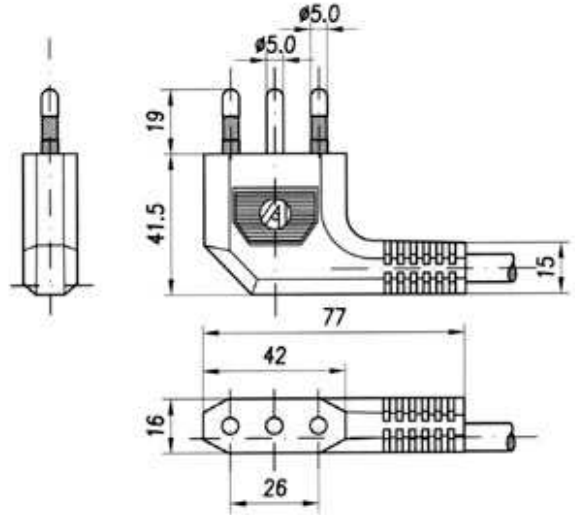




2 POLI + T	ANGOLATA	16A-250V
2 PIN + EARTH	ANGLED	16A-250V
2 POLE+ T	ANGULE	16A-250V
2 POLIG+T	WINKEL	16A-250V



H05VV-F 3G1 mm²
H05VV-F 3G1.5 mm²

<input checked="" type="checkbox"/>	<input type="checkbox"/>	<input type="checkbox"/>	<input type="checkbox"/>	<input type="checkbox"/>	<input type="checkbox"/>	<input type="checkbox"/>	<input type="checkbox"/>	<input type="checkbox"/>	<input type="checkbox"/>	<input type="checkbox"/>	<input type="checkbox"/>	<input type="checkbox"/>	<input type="checkbox"/>	<input type="checkbox"/>	<input type="checkbox"/>	<input type="checkbox"/>	<input type="checkbox"/>	<input type="checkbox"/>	<input type="checkbox"/>
<input checked="" type="checkbox"/>	<input type="checkbox"/>	<input type="checkbox"/>	<input type="checkbox"/>	<input type="checkbox"/>	<input type="checkbox"/>	<input type="checkbox"/>	<input type="checkbox"/>	<input type="checkbox"/>	<input type="checkbox"/>	<input type="checkbox"/>	<input type="checkbox"/>	<input type="checkbox"/>	<input type="checkbox"/>	<input type="checkbox"/>	<input type="checkbox"/>	<input type="checkbox"/>	<input type="checkbox"/>	<input type="checkbox"/>	<input type="checkbox"/>

- | | |
|------------------------------------------------------------|---------------------------------------------------------------|
| <input checked="" type="checkbox"/> Approvazioni possedute | <input type="checkbox"/> Approvazioni in corso di ottenimento |
| Approvals got | Approvals in course of proceeding |
| Aprobations obtenues | Approbations en cours d'obtention |
| Erlangte Zulassungen | Zulassungen mit laufendem Verfahren |